

Anchorage Intelligent Strength



Features

- Classic lift on/lift off or lift out flag design**
 Traditional assembly, ease of fitting, allows sash removal in low ceiling applications
- Long reach sash plate with integral fixing lugs**
 Optimal strength and stability with 4 screws locating into the profile's steel reinforcing
- True 3D adjustment with supplied allen keys**
 Allows for final tweaking and perfect sash alignment
- Available in 14mm, 17mm and 21mm stack heights**
 Works with all major profile systems
- Sash security cover cap and anti-lift pin**
 Prevents intruder from removing cover cap and lifting out the door
- Dual mount screw fixings on sash piece for optional use of M6 screws**
 Strong hold on sash and frame
- Tray based packaging, 3 hinges per tray**
 Convenient full door assembly
- 30kg sash weight load per hinge**
 Support up to 90kg with 3 hinges
- Dedicated individual or telescopic fixing jigs available**
 Fast, more accurate fabrication
- Suitable for interior or exterior fitting**
 Convenience for fabricator



Black



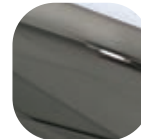
White



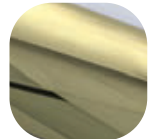
Hardex
Chrome



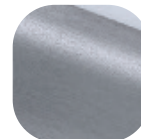
Hardex
Satin



Hardex
Bronze



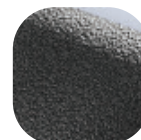
Hardex
Gold



Hardex
Graphite



Hardex
Pewter



Antique
Black



Silver

Anchorage Intelligent Strength

Ordering Details

Anchorage Intelligent Strength

Product	Part No.		
Finish	14mm	17mm	21mm
White	2A000	2A050	2A100
Black	2A001	2A051	2A101
Silver	2A002	2A052	2A102
Hardex Chrome	2A004	2A054	2A104
Hardex Satin	2A005	2A055	2A105
Hardex Bronze	2A006	2A056	2A106
Hardex Gold	2A008	2A058	2A108
Hardex Pewter	-	-	2A112
Hardex Graphite	-	2A061	2A111

Technical Information

Corrosion resistance

All finishes salt spray tested to 480 hours (BS EN 1670: Class 5)

Operation

Function test to 200,000 cycles

Adjustment

Vertically +4mm/-1mm, Horizontally +/- 6mm; Compression adjustment of +/-1.5mm

Performance

Tested with 3 hinges up to 90kg sash

Material Specification

Hinge Body and Flag: Zinc

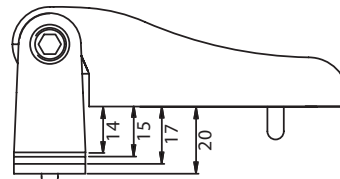
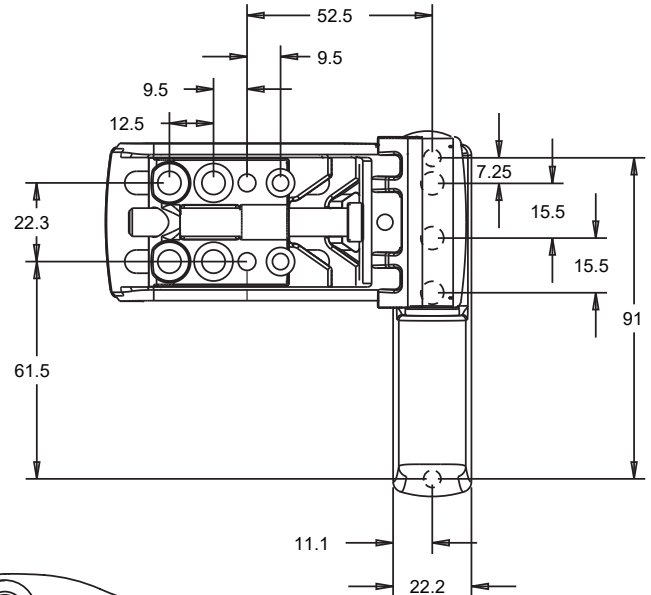
Coatings: Hardex Chrome, Hardex Satin, Hardex Bronze, Hardex Gold, Hardex Graphite, Hardex Pewter, Antique Black, Black, Silver and White

Maintenance

For continued protection of the quality finish and appearance, Fab&Fix advise routine cleaning of all our external hardware. Moving parts should also be lightly lubricated at least twice a year. This procedure is particularly essential if products are used within a 25-mile radius of coastal areas or close proximity to building sites or large industrial areas, where more frequent cleaning may be required to prevent the accumulation of corrosive contaminants.

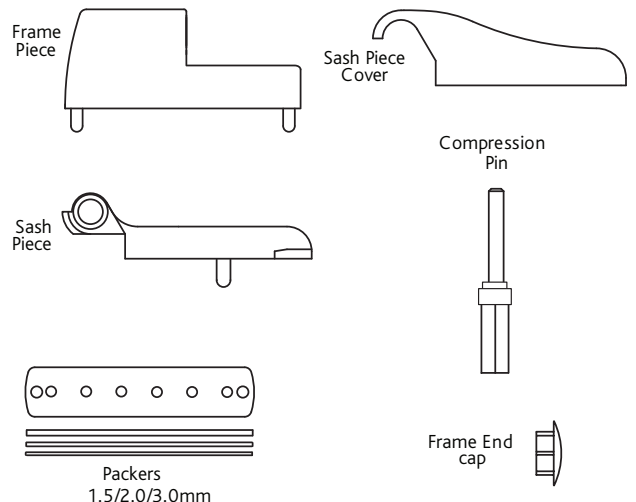
Packaging

Hinge
18 hinges per box



Sash frame rebate height.
Suitable for Sash Frame sizes of 14.0mm and higher

Component Parts List



All dimensions are in mm and are nominal.

Fab&Fix reserves the right to change specification without notice. It is the responsibility of the door manufacturer to ensure that the finished product meets any required safety and performance specification.