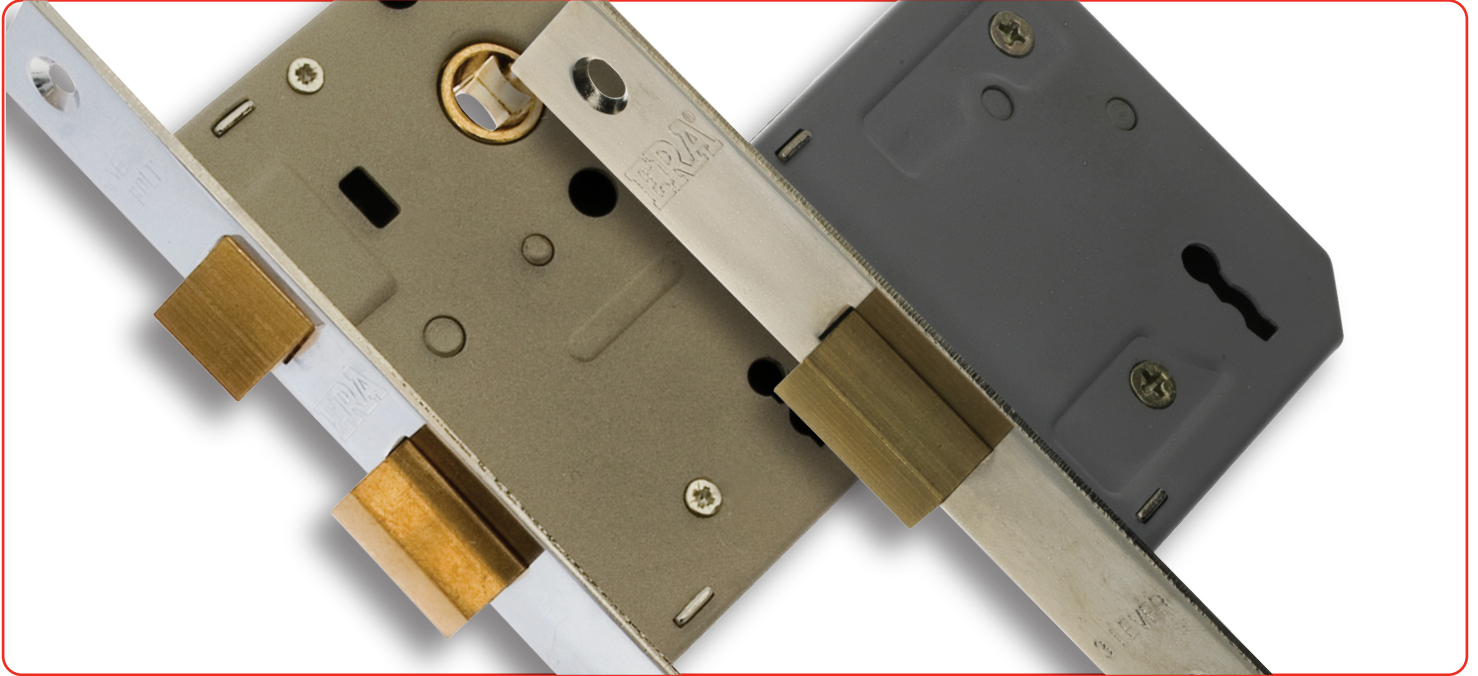


### 3 Lever Mortice Locks



#### Features

- Low cost mortice lock, offering additional security for internal doors and outside applications such as sheds
- Easily reversible sashbolt
- Available as either a Sashlock or Deadlock in 64mm (2½") and 76mm (3") backsets
- Fortress Rebates are available in 12.7mm (½") and 25.4mm (1")
- Brass Effect and Chrome finishes available
- Two numbered steel keys supplied with over 100 variations



Deadlock



Sashlock

## 3 Lever Mortice Locks

### Ordering Details

#### 3 Lever Deadlock

Finish	Part No. Clam Pack	Part No. Boxed Version
Brass Effect 64mm (2½")	472-32	472-31
Chrome Effect 64mm (2½")	472-62	472-61
Brass Effect 76mm (3")	572-32	572-31
Chrome Effect 76mm (3")	572-62	572-61

#### 3 Lever Sashlock

Finish	Part No. Clam Pack	Part No. Boxed Version
Brass Effect 64mm (2½")	473-32	473-31
Chrome Effect 64mm (2½")	473-62	473-61
Brass Effect 76mm (3")	573-32	573-31
Chrome Effect 76mm (3")	573-62	573-61

#### Spare Steel Key Blank

Note: Order according to key differ number

Type	Part No.
C01:C15-S01:S50	605-56LH
C16:C30-S51:S100	605-56RH
D01:D20	606-56LH
D21:D40	606-56RH

### Packaging

#### Boxed version

1 lock per inner box, 10 locks per outer box

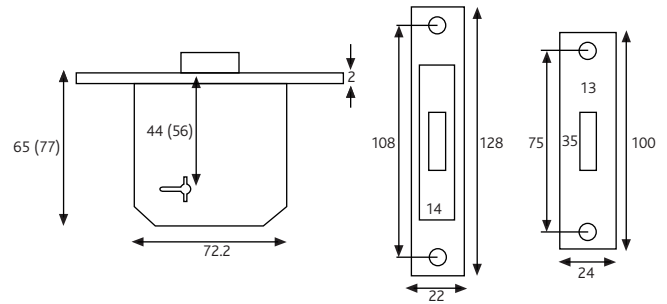
#### Clam version

1 lock per clam, 5 clams per outer box

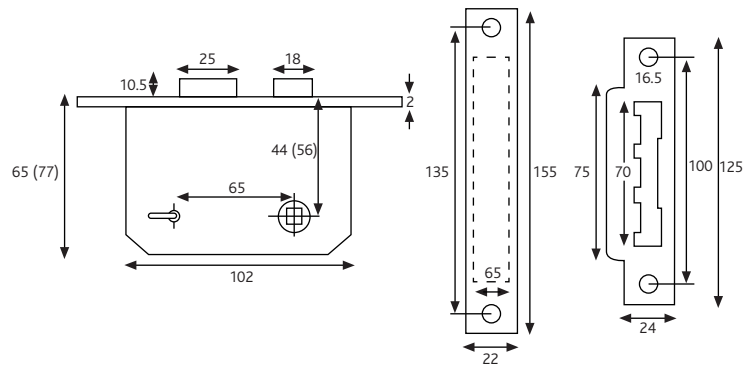
### Maintenance

Wipe the surface periodically with a soft cloth to remove excess grease or moisture.

3 Lever Deadlock



3 Lever Sashlock



All dimensions are in mm and are nominal. Numbers in brackets relate to 3" version of lock. Diagram illustrates product in locked position.

ERA reserves the right to change specification without notice

It is the responsibility of the door manufacturer to ensure that the finished product meets any required safety and performance specification.