

Architectural Door Knocker



Features

- **Modern contemporary designed knocker**
Part of the Architectural Door hardware range
- **Patented face fixed plate works with all major door materials**
Easy installation; no need to use fixing bolts or to drill through the door
- **Solid substantial design**
Tangible upgrade to the Classic series of knockers and decorative hardware
- **Available in the Architectural Hardex finish range**
Finishes to suit contemporary door designs



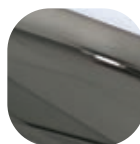
Hardex
Chrome



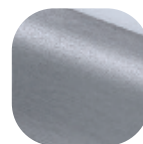
Hardex
Gold



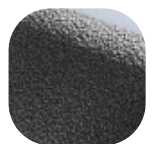
Black



Hardex
Bronze



Hardex
Graphite



Antique
Black

Architectural Door Knocker

Ordering Details

Product

Architectural Door Knocker

Finish	Part No.
Hardex Chrome	4A650
Hardex Bronze	4A651
Hardex Gold	4A652
Hardex Graphite	4A653
Antique Black	4A654
Black	4A655

Technical Information

Corrosion resistance

Meets the requirements of BS EN 1670:2007 Grade 5 (480 hours)

Material Specification

Knocker:	High quality Zinc
Coatings:	Hardex Chrome, Hardex Bronze, Hardex Gold, Hardex Graphite, Antique Black and Black.

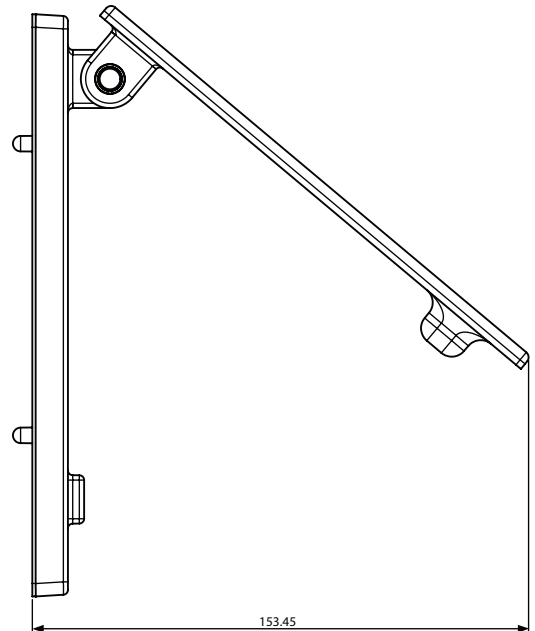
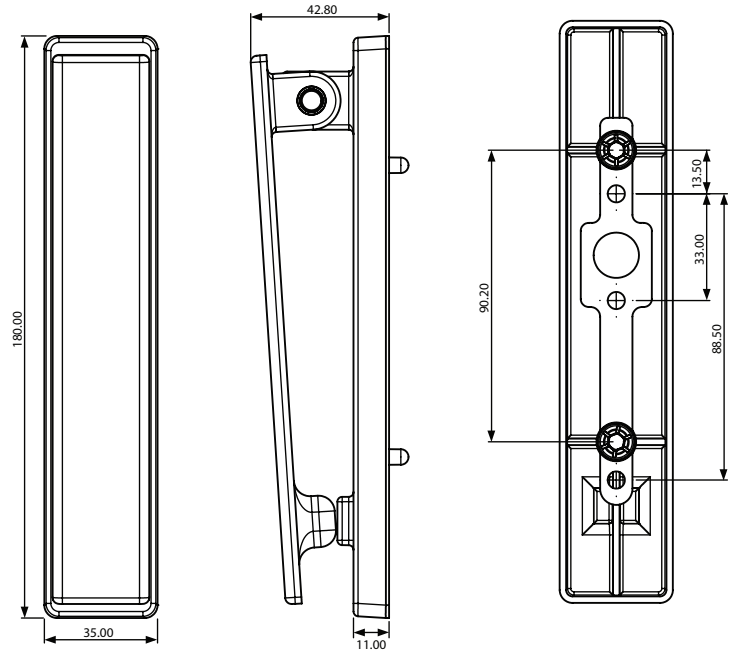
Maintenance

For continued protection of the quality finish and appearance, Fab&Fix advise routine cleaning of all our external hardware. Moving parts should also be lightly lubricated at least twice a year. This procedure is particularly essential if products are used within a 25-mile radius of coastal areas or close proximity to building sites or large industrial areas, where more frequent cleaning may be required to prevent the accumulation of corrosive contaminants.

Packaging

Architectural Door Knocker

Individually boxed with fixing bracket and care instructions.
20 knockers in an outer box.



All dimensions are in mm and are nominal.
Fab&Fix reserves the right to change specification without notice.
It is the responsibility of the door manufacturer to ensure that the finished product meets any required safety and performance specification.