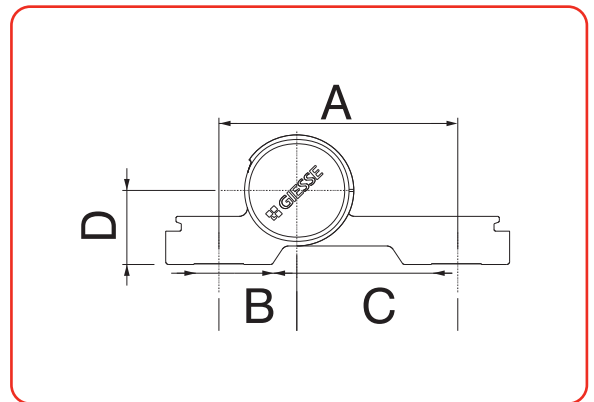


Domina HP Cover

Features

- Face fix 3D adjustable hinge in 2 or 3 wing versions (Giesse patent)
- Suitable for large heavy duty aluminium doors subject to intensive use (category 4)
- Hinge has a high resistance to fatigue and wear (durability grade 7)
- Micrometric lateral adjustment of ± 2.5 mm by adjustment screw located in the sash hinge cartridge. The locking grub screw locks the cartridge in the chosen position once adjusted
- Micrometric compression adjustment of ± 0.5 mm using the special adjuster tool (additional part G05053) to turn the bush on the frame part of the hinge. The locking grub screw locks the compression adjustment leaving access to the height adjustment
- Micrometric vertical adjustment of 0/+4 mm through the grub screw at the bottom of the hinge and the insertion of the plug ensures the height adjustment is maintained
- Pre-assembled components for faster installation - pin cartridge for lateral adjustment and the cartridge with thrust bush for vertical and compression adjustment
- Hinge used in combination with paintable screw covers (purchased separately)
- Tamper proof screw cover plates screwed from the inside are only removable when the sash is open
- Can also be used in combination with the counterplate kit with expansion dowels for single sealed unit profiles and with M12 direct fixing screws for thermal break profiles



Ordering Details

Product

Domina HP Cover Hinge - 2 Wings

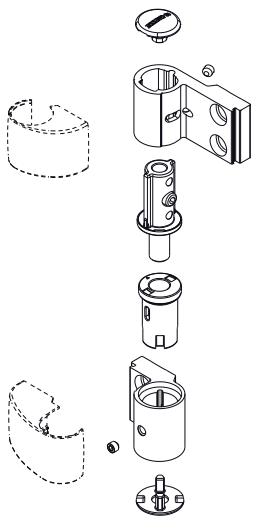
Finish	A (mm)	B (mm)	C (mm)	D (mm)	CE Marking	Part No.
Hinge	62.5	20.5	42	-	Class 14	G05120190V
Cover (Silver)						G06120376N

Domina HP Cover Hinge - 3 Wings

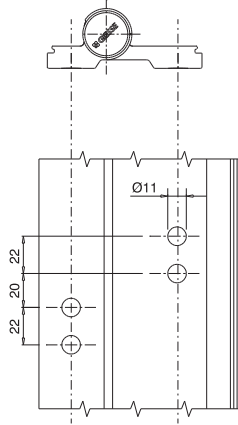
Finish	A (mm)	B (mm)	C (mm)	D (mm)	CE Marking	Part No.
Hinge	62.5	20.5	42	-	Class 14	G05121190V
Cover (Silver)						G06121376N

Please contact the sales office for additional finishes and step heights

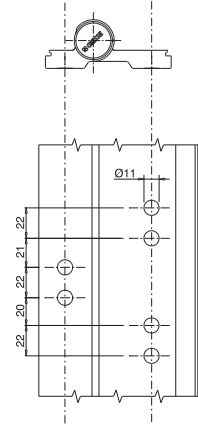
Domina HP Cover



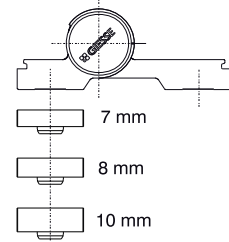
Preparation of profile for two-leaf hinge



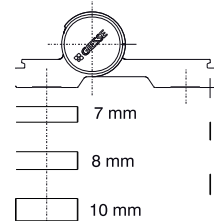
Machining on profile for three-wing hinge



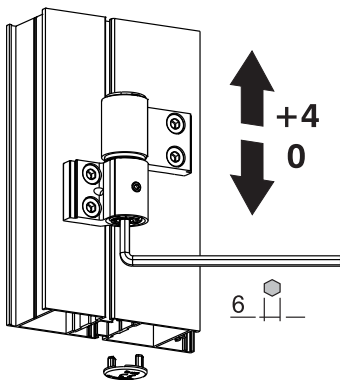
Steps with bushes



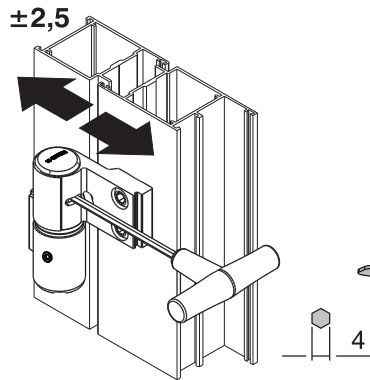
Steps without bushes



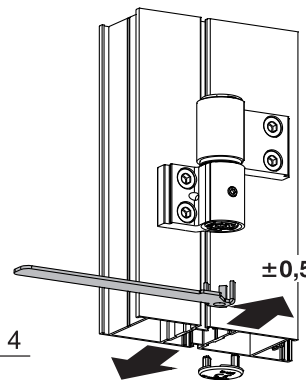
Vertical adjustment



Lateral adjustment



Compression adjustment



All dimensions are in mm and are nominal. Giesse reserves the right to change specification without notice. It is the responsibility of the manufacturer to ensure that the finished product meets any required safety and performance specification.

Technical Information

Operation

Durability test to 200,000 cycles, Grade 7 (complies with EN 1935). CE Mark in compliance with EN1935

Performance

Tested to comply with EN1935:2002

Max Weight Per Door

2 Wings: 2 Hinges - 160kg or 3 Hinges - 180kg
3 Wings: 2 Hinges - 180kg or 3 Hinges - 200kg

Adjustment

Lateral ±2.5 mm
Vertical 0/+4 mm
Compression ±0.5 mm

Packaging

Hinges
10 per box

Material Specification

Hinge Body	Extruded Aluminium, black anodised
Cover	Zamak
Cover Coatings	Silver Painted Black Powder Coated (RAL 9005)
Adjustment Cartridge	Zamak with GS Silver Plus finish
Thrust Bush	Acetal
Bushes	Acetal
Concealer Caps	Polyamide
Screws/ Grub Screws	Stainless Steel

Maintenance

All moving parts should be lightly lubricated using a light non-acidic mineral oil (e.g. "3 in 1") twice per year and the surface cleaned with a soft damp cloth. The product may need to be adjusted and fixings tightened to ensure a satisfactory operation.