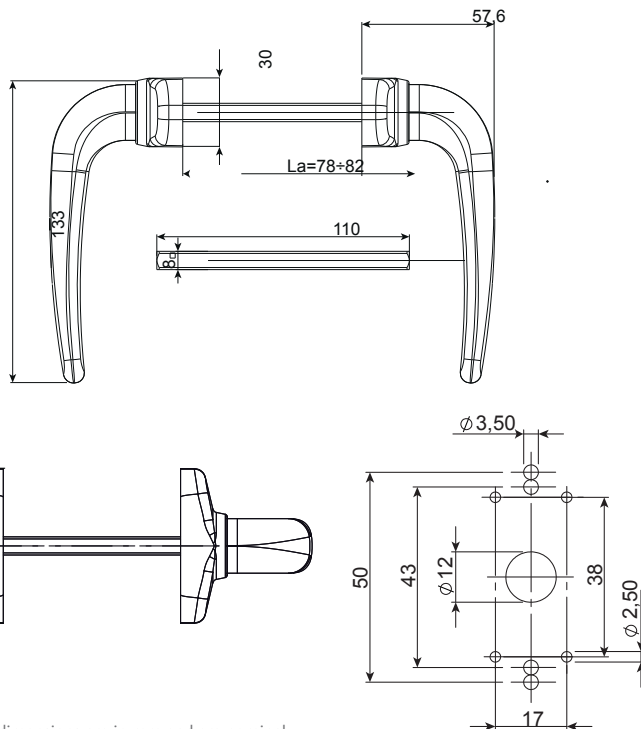


## Prima Plus

### Features

- Reversible stop door handles for fitting on the upright or centre rail of a door
- Comprises of a case and rotor which, combined with a return spring, enables reversible operation and horizontal positioning of the handle
- Instant access to the fixing screws by simply rotating the plate cover
- 43mm (European market) and 50mm positions enables the handle to be fitted on the majority of profiles and fixes quick and easy to the profile with self-tapping screws
- Rotor is equipped with a mechanical stop that safeguards the end stroke of the spring, preventing damage and consequent breakage, in case of incorrect operation
- 110 mm square spindle for use 78mm - 82mm profiles (without cutting the pin)
- Manufactured from high quality aluminium and coated with Giesse's special painting system, guarantees excellent mechanical performance with a robust finish for lasting protection



All dimensions are in mm and are nominal.  
Giesse reserves the right to change specification without notice.  
It is the responsibility of the manufacturer to ensure that the finished product meets any required safety and performance specification.

### Ordering Details

#### Product

**Prima Plus**

#### Finish

Base Painting  
White (RAL 9010)  
Black (RAL 9005)

#### Part No.

G02792005  
G02792410  
G02792500

### Material Specification

Handle Grip:	Die-cast Aluminium
Rotor, Plate and Plate Cover:	Zamak
Self-forming Screw	Zinc-plated Steel
Compression Spring:	Stainless Steel
Spring:	Steel
Screws:	8mm x 8mm x 100mm Zinc-plated Steel
Shim Washer:	Acetal

### Maintenance

All handles should be lightly lubricated twice a year and the surface cleaned with a soft damp cloth to remove any dust or grime, taking care not to scratch the surface finish.

### Packaging

#### Handles

5 handles per box. 1x Fixing plate, 2x HSHC Screw M5x14