

### Sash Knobs



### Features

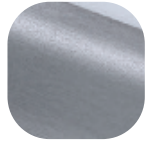
- Sturdy feel**  
 Solid die cast zinc construction
- Easy to grip**  
 Sculptured ergonomic design
- Wide choice**  
 Available in Classic, Heritage and Architectural Bottom Sash Knobs to suit with the High Security Cam Lock and a anodised Top Sash Knob
- Perfectly matching hardware**  
 Supplied with colour coordinated screws that perfectly matches to the Sash Pull Handle
- Designed for PVCu, Timber and Aluminium sliding windows**  
 To suit all window materials, we have a range of different keeps to suit specific profiles
- Available in the complete range of Hardex finishes**  
 Perfectly matching to the full Fab&Fix range of products



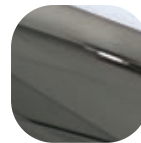
Hardex  
Chrome



Hardex  
Satin



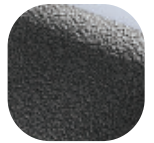
Hardex  
Graphite



Hardex  
Bronze



Hardex  
Gold



Antique  
Black



White



Black

### Sash Knobs

#### Ordering Details

Bottom Sash Knob		Part No.	
Finish	Classic	Heritage	Architectural
Hardex Chrome	VHSKCHC01	VHSKHHC01	VHSAHC01
Hardex Bronze	VHSKCHB01	VHSKHBB01	VHSAHB01
Hardex Gold	VHSKCHG01	VHSKHGG01	VHSAHG01
Hardex Graphite	VHSKCGR01	VHSKHGR01	VHSAGR01
Hardex Satin	VHSKCSA01	VHSKHA01	VHSA01
Antique Black	VHSKCAB01	VSKHAB01	VSKAAB01
White	VSKCWH01	VSKHWH01	VSKAWH01
Black	VSKCBK01	VSKHKB01	VSKABK01

#### Top Sash Knob

##### Finish

Top Sash Knob Satin Anodised

#### Technical Information

##### Corrosion Resistance

Meets the requirements of BS EN 1670:2007 Grade 5 (480 hours)

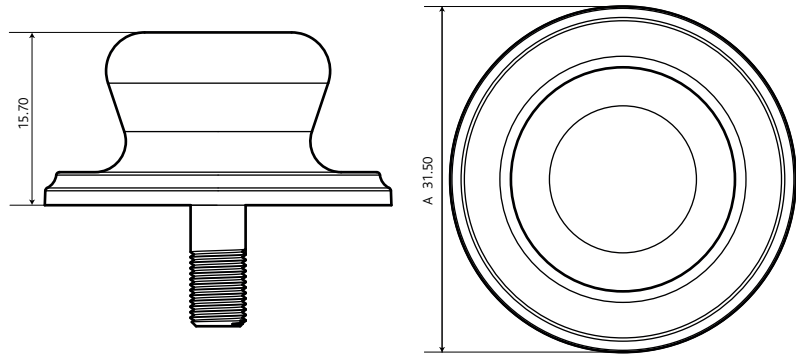
##### Material Specification

Bottom Sash Knob:	Zinc Die Cast
Coatings:	Hardex Chrome, Hardex Bronze, Hardex Gold, Antique Black, Hardex Graphite, White and Black.

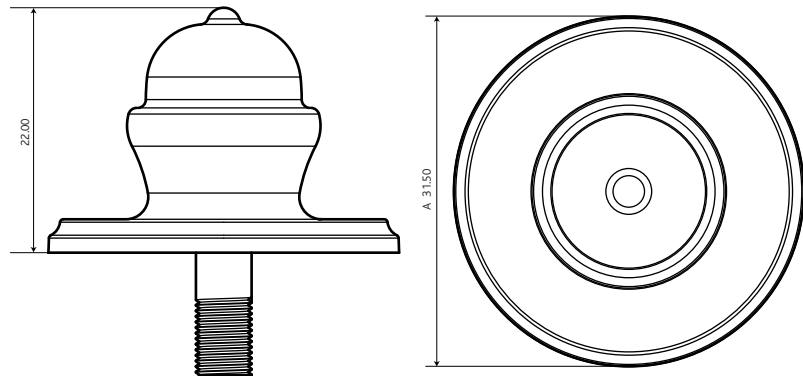
#### Packaging

Sash Knob: Individually bagged, 100 per box

Classic



Heritage



Architectural

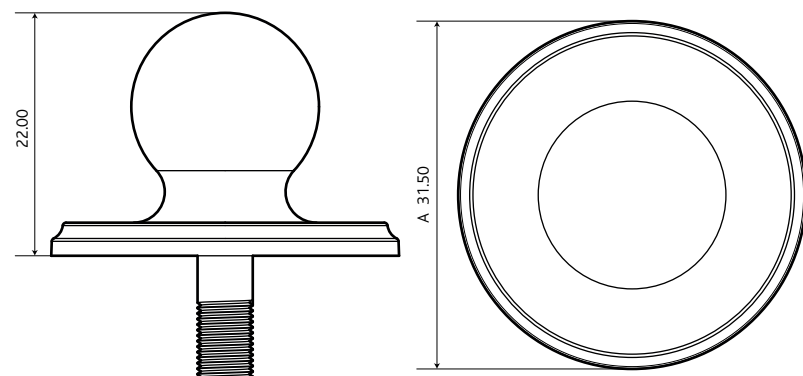


Diagram not to scale.

All dimensions are in mm and are nominal.

Fab&Fix reserves the right to change specification without notice. It is the responsibility of the window manufacturer to ensure that the finished product meets any required safety and performance specification.