

Architectural Window Handle



Features

- Modern contemporary design**
 Suited to the Architectural range of door and window furniture
- Solid die cast construction**
 Heavyweight handle with sturdy feel
- Heavy duty sprung latching wedge**
 Positive click on closing
- Long handle**
 Greater leverage and easy to operate without catching a hand on the window
- Ergonomically designed flush button**
 Button becomes an integral part of the handle design
- Patented cover caps with colour coordinated finish**
 Perfectly matching components, even down to the smallest details
- Key clicks into place when inserted**
 Won't fall out of the lock, even when pivoting the lever
- Slotted spindle (40mm version only)**
 Allows cropping to 5mm increments
- Supplied with screw and spindle pack**
 Everything needed for installation included



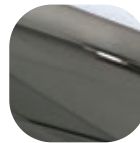
Hardex Chrome



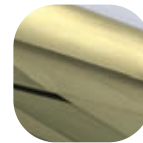
Hardex Satin



White



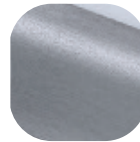
Hardex Bronze



Hardex Gold



Black



Hardex Graphite



Hardex Pewter



Anthracite Grey

Architectural Window Handle

Ordering Details

Product

Architectural Inline Locking Window Handle

Finish	Part No.
	40mm Spindle
Hardex Chrome	WHAARHC40IL
Hardex Gold	WHAARHG40IL
Hardex Graphite	WHAARGR40IL
Hardex Bronze	WHAARHB40IL
Hardex Pewter	WHAARPT40IL
Hardex Satin	WHAARHS40IL
White	WHAARWH40IL
Black	WHAARBL40IL
Anthracite Grey	WHAARAG40IL

For details of other spindle lengths available, please contact the sales office

Technical Information

Corrosion resistance

Meets the requirements of BS EN 1670:2007 Grade 5 (480 hours)

Operation

Tested to 25,000 cycles

Material Specification

Handle:	High quality Zinc for all finishes
Coatings:	Hardex Chrome, Hardex Graphite, Hardex Gold, Hardex Bronze, Hardex Pewter, Hardex Satin, White, Black and Anthracite Grey

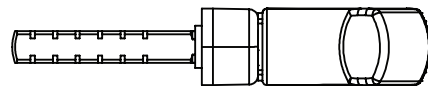
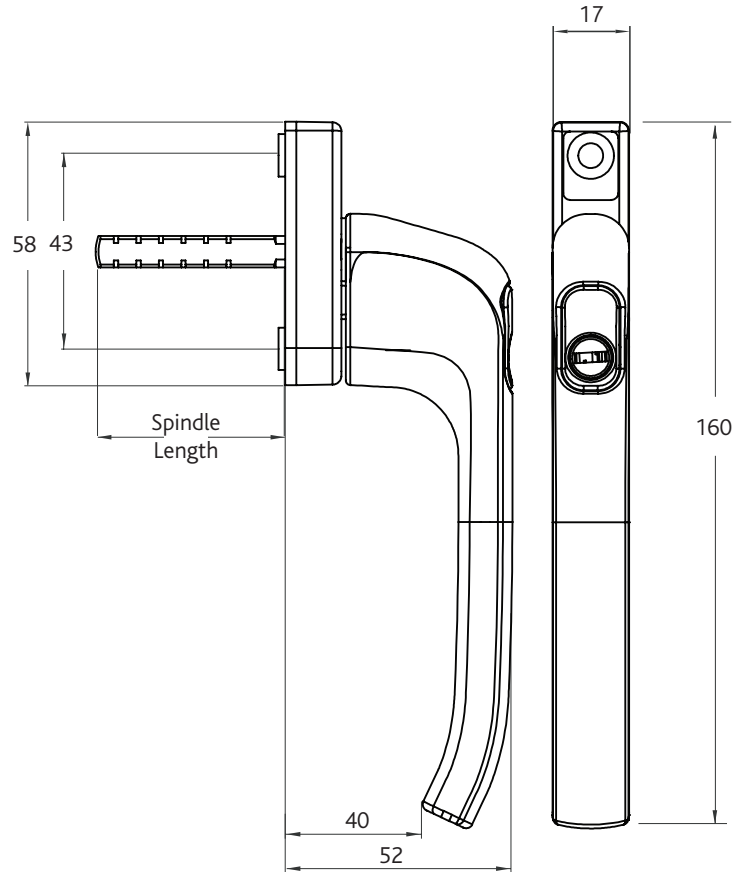
Maintenance

For continued protection of the quality finish and appearance, Fab&Fix advise routine cleaning of all our external hardware. Moving parts should also be lightly lubricated at least twice a year. This procedure is particularly essential if products are used within a 25-mile radius of coastal areas or close proximity to building sites or large industrial areas, where more frequent cleaning may be required to prevent the accumulation of corrosive contaminants.

Packaging

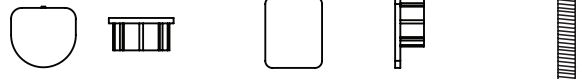
Handles

Individually bagged with screws and care instructions.
40 handles in an outer box.



Cover Caps

Screws x 2



All dimensions are in mm and are nominal.

Fab&Fix reserves the right to change specification without notice. It is the responsibility of the window manufacturer to ensure that the finished product meets any required safety and performance specification.