

### Spire Knocker



### Features

- **Face fixing works with all major door materials**  
Easy installation; no need to use fixing bolts or to drill through the door
- **Heritage design**  
Create an elegant finish to a heritage style door



Forged  
Black



Hardex  
Pewter

## Spire Knocker

### Ordering Details

#### Product

Spire Knocker

Finish	Part No.
Hardex Pewter	DFKNSPR-PT
Forged Black	DFKNSPR-FB

### Technical Information

#### Corrosion resistance

Meets the requirements of BS EN 1670:2007 Grade 5 (480 hours)

#### Material Specification

Knocker:	High quality Zinc for all finishes.
Coatings:	Hardex Pewter and Forged Black

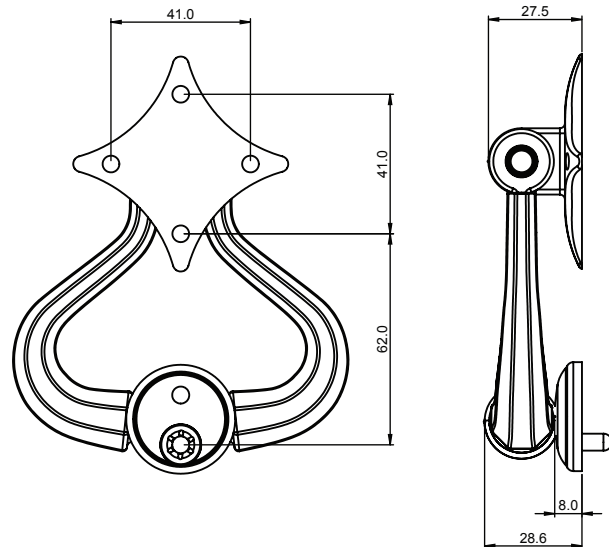
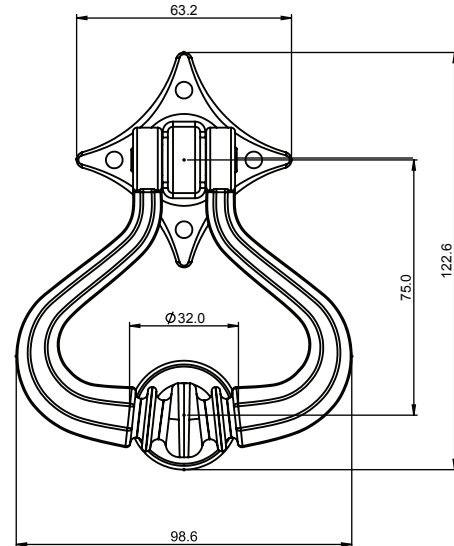
### Maintenance

For continued protection of the quality finish and appearance, Fab&Fix advise routine cleaning of all our external hardware. Moving parts should also be lightly lubricated at least twice a year. This procedure is particularly essential if products are used within a 25-mile radius of coastal areas or close proximity to building sites or large industrial areas, where more frequent cleaning may be required to prevent the accumulation of corrosive contaminants.

### Packaging

#### Spire Knocker

Individually boxed with fixing bracket and care instructions.  
20 knockers in an outer box.



All dimensions are in mm and are nominal.  
Fab&Fix reserves the right to change specification without notice.  
It is the responsibility of the door manufacturer to ensure that the finished product meets any required safety and performance specification.